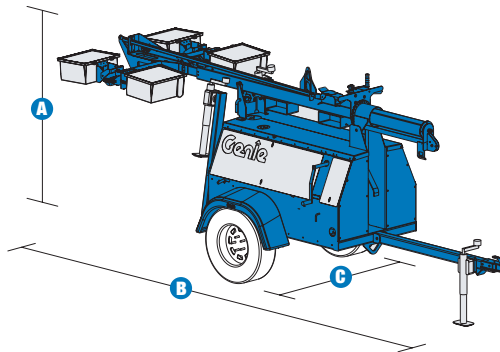


# Specifications



MODELS	TML™-4000		TML™-4000N	
MEASUREMENTS	US	Metric	US	Metric
Tower height	28 ft	8.53 m	28 ft	8.53 m
<b>A</b> Height - stowed	5 ft 11 in	1.80 m	5 ft 11 in	1.80 m
<b>B</b> Length - stowed	14 ft 7 in	4.45 m	14 ft 7 in	4.45 m
<b>C</b> Width - stowed	5 ft 10 in	1.78 m	4 ft 7 in	1.40 m

PRODUCTIVITY		
Leveling capability	30°	30°
Tower rotation	360° non-continuous	360° non-continuous
Wind speed rating	up to 60 mph (97 km/h)	up to 60 mph (97 km/h)
Operating sound level	71 dbA at 23 ft (7 m)	71 dbA at 23 ft (7 m)
Towing speed rating	60 mph 97 km/h	60 mph 97 km/h
Standard hitch receptacle	2 in 5.08 cm	2 in 5.08 cm
Tire size	185/80D13	185/80D13

POWER		
Power source	Water-cooled 3 cylinder Deutz diesel engine 14.3 hp (10.7 kW) Water-cooled Perkins diesel engine 14.5 hp (10.8 kW)	
Generator	6 kW	6 kW
Total lighting wattage	4,000 watts (four 1,000 watt HID metal halide lamps)	
Auxiliary convenience receptacles	Two 120 V GFCI duplex receptacle	One 120 V GFCI duplex receptacle
Fuel tank capacity	50 gal 189 L	30 gal 114 L

WEIGHT				
Dry	1,936 lbs	878 kg	1,792 lbs	813 kg
Fuel tank full	2,274 lbs	1,031 kg	1,999 lbs	907 kg

Notice: TML lamp bulbs contain mercury (Hg). Dispose of lamp bulbs according to local, state and federal laws.

## Features

### EASILY CONFIGURED TO MEET YOUR NEEDS

#### POWER OPTIONS

- Deutz water-cooled diesel engine 14.3 hp (10.7 kW)
- Perkins water-cooled diesel engine 14.5 hp (10.8 kW)
- 60 Hz generator package
- 50 Hz generator package (with Perkins engine only)

#### RECEPTACLE OPTIONS

- Standard convenience receptacle package (60 Hz only)
- No convenience receptacle package (International only)
- Configurable convenience receptacle package
- Enhanced convenience receptacle package (60 Hz only)

#### COUPLER OPTIONS

- Combination hitch
- 2 in (5.08 cm) ball coupler
- 3 in (7.62) pintle coupler

#### TIRE

- 185/80D13 tires

### STANDARD FEATURES

#### MEASUREMENTS

##### TML™-4000

- 28 ft (8.53 m) tower height
- 5 ft 10 in (1.78 m) stowed width

##### TML™-4000N

- 28 ft (8.53 m) tower height
- 4 ft 7 in (1.40 m) stowed width

#### PRODUCTIVITY

- 360° non-continuous tower rotation
- 30° leveling capability
- Trailer light package
- 60 mph (97 km/h) tow speed rating
- “Tool-less” Quick-Aim™ horizontal and vertical adjustments of each light fixture
- Patent pending tilt actuating lamp adjustment
- Four 1000 W metal halide lamps with individual circuit breaker switch for each lamp
- Horizontal mounted lamp assembly for more even distribution of light
- Standard convenience receptacle package (60 Hz only)
- No convenience receptacle package (International only)
- 2 in (5.08 cm) ball hitch
- Padlockable polyurethane coated covers
- Forklift pockets and lifting eye
- 185/80D13 tires

#### POWER

- Deutz water-cooled diesel engine 14.3 hp (10.7 kW)
- Perkins water-cooled diesel engine 14.5 hp (10.8 kW)
- 60 Hz generator package
- 60 to 100 hour run time between fueling
- Keyless ignition and hour meter



### OPTIONS & ACCESSORIES

#### PRODUCTIVITY

- Configurable convenience receptacle package
- Enhanced convenience receptacle package (4000N only)
- Combination 2 in (5.08 cm) ball / 3 in (7.62 cm) pintle hitch
- Environmental tray

#### POWER

- 50 Hz generator package (Perkins engine only)
- Fuel/water separators and pre-filters
- Cold start packages
- Deutz 3-year extended warranty
- Heavy-duty battery
- Keyed ignition

### Genie United States

18340 NE 76th Street  
P.O. Box 97030  
Redmond, Washington 98073-9730

Telephone **(425) 881-1800**  
Toll Free in USA/Canada **800-536-1800**  
Fax (425) 883-3475

### Genie Europe

The Maltings  
Wharf Road  
Grantham NG31 6BH  
U.K.

Telephone **+44 (0)1476 584333**  
Fax +44 (0)1476 584334

Email: [infoeurope@genieind.com](mailto:infoeurope@genieind.com)

### Distributed By:

For further information, please contact your local distributor or the Genie Industries sales office listed. Continuous improvement of our products is a Genie policy. Product specifications are subject to change without notice or obligation. The photographs and drawings in this brochure are for illustrative purposes only. Refer to the appropriate Operator's Manual for instructions on the proper use of this equipment. Failure to follow the appropriate Operator's Manual when using our equipment or to otherwise act irresponsibly may result in serious injury or death. Prices and specifications subject to change without notice. The only warranty applicable is the standard written warranty applicable to the particular product and sale. Genie makes no other warranty, expressed or implied. Products and services listed may be trademarks, service marks or trade-names of TEREX Corporation and/or its subsidiaries in the USA and other countries and all rights are reserved. Copyright © 2005 Genie Industries, Inc. "Genie" is a Registered Trademark of Genie Industries, Inc. in the USA and many other countries. Genie is a TEREX Company.